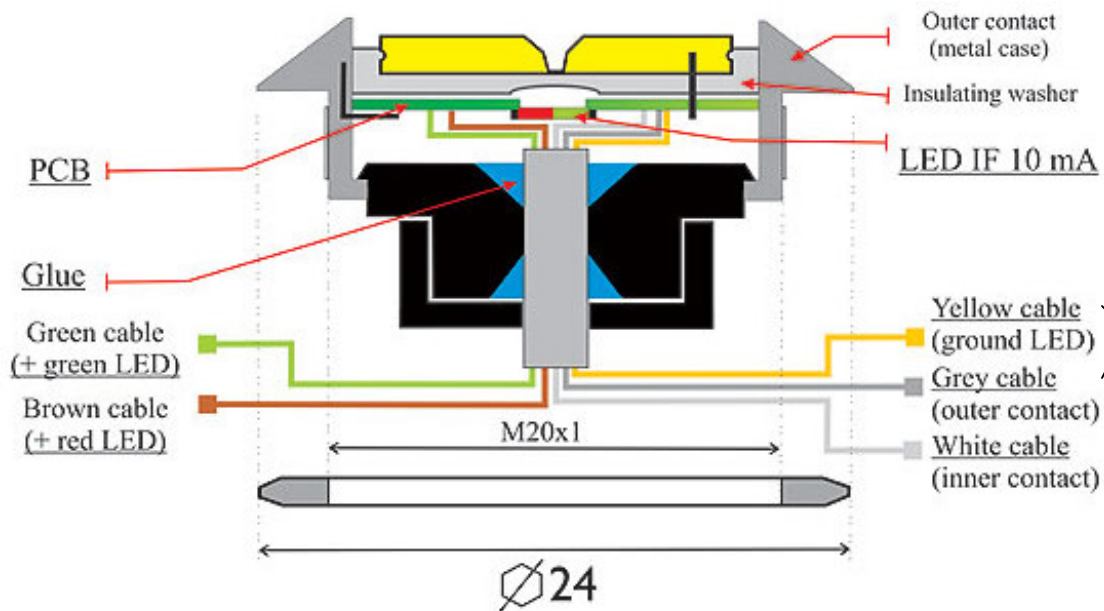
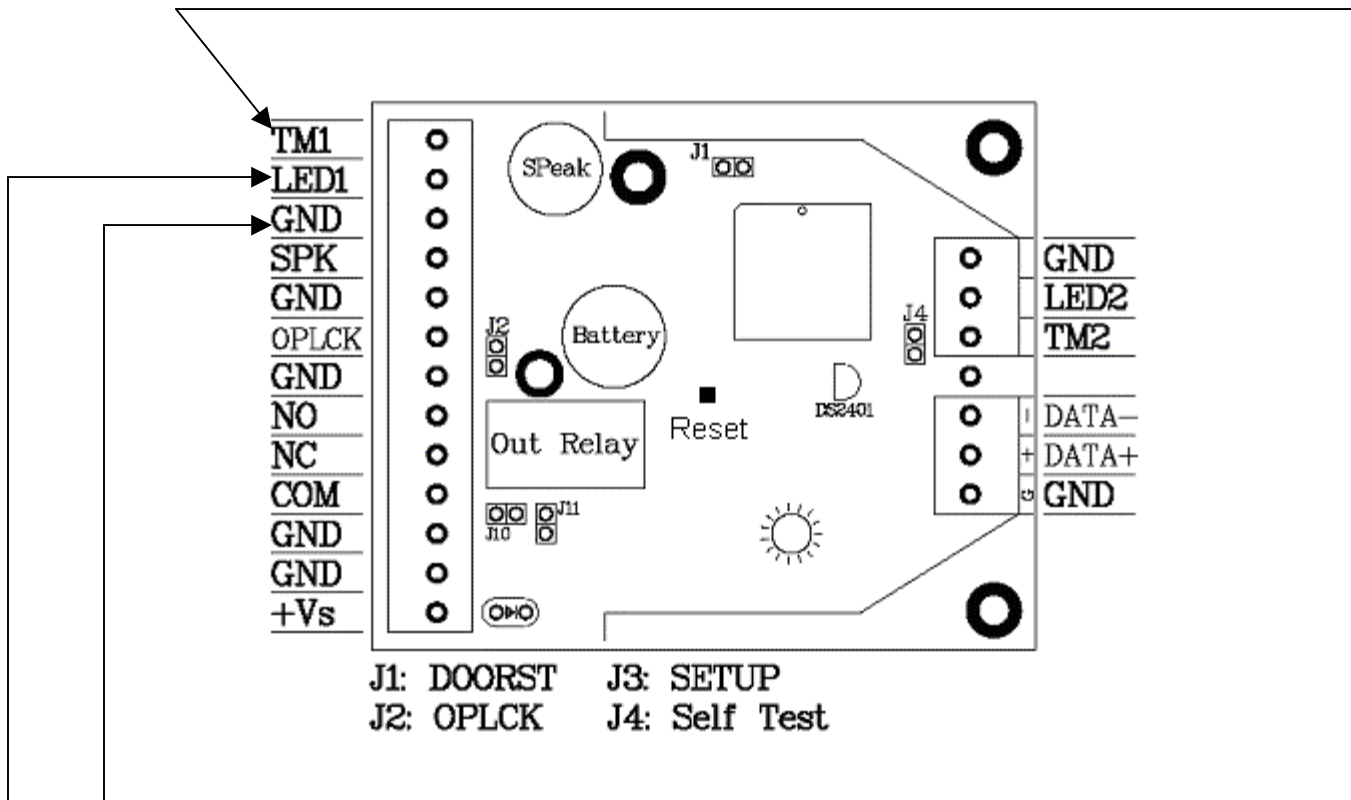


New iButton Reader Wire Connection



Brown Cable: No need hook
Green Cable: LED1
Yellow+Gray Cable: GND
White Cable: TM1