

11



Drawer Lock 2000B-12(13) Installation Instruction

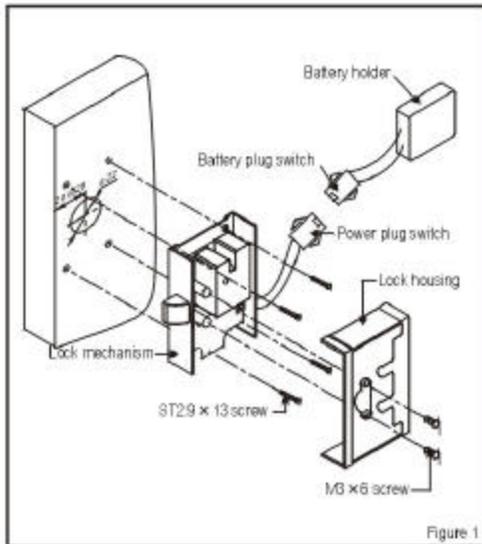


Figure 1

Installation procedure:

Shown as Figure 1

1. 20mm and 28mm backset are available. 20mm backset is for Model I strike plate and 28mm is for Model II strike plate. Before installation, drill a hole of 22mm diameter in the door board.
2. Install lock mechanism to the door board and fix with 4 ST2.9 x 13 screws, then cover lock housing and then fix with 2 M3 x 6 screws.
3. Install battery holder in the door board and fix with 2 screws, then connect power plug switch with battery plug switch.

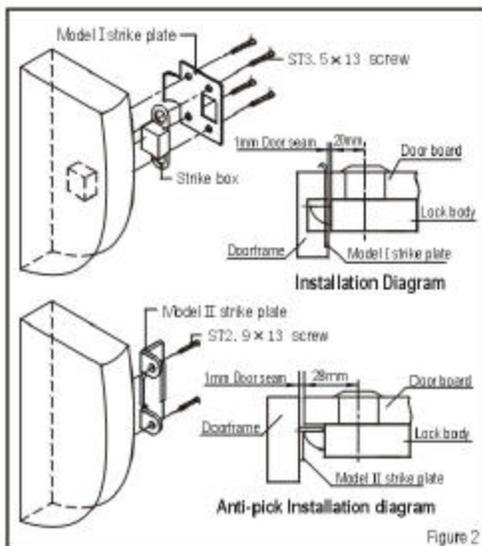


Figure 2

Shown as Figure 2

Model I strike plate installation:

Install strike box in the door board, then put strike plate on it, and then fix with 2 ST3.5 x 13 screws.

Model II strike plate installation:

Fix strike box in the door board with 2 ST2.9 x 13 screws. This strike plate don't need strike box and suitable for anti-pick lock.

Anti-pick installation diagram

4002 Drawer Lock Operating Instruction

★ Glossary

- ✎ **IB**: Acronym for information button. A microchip enclosed in stainless steel case can store and access data and information.
- ✎ **Master IB key**: Used to issue or delete user IB key and operate IB lock.
- ✎ **User IB key**: After issued, used to operate the assigned IB lock(s).

★ Operation

Before operation, please confirm the open mode you need, select the switch unit shown as Figure, 2 open modes are available:

1. Move the switch unit to the right side, and use IB key to touch the reader, after opening, the lock will be automatically locked.
2. Move the switch unit to the left side, and use IB key to touch the reader, after opening, touch IB key again, the lock can be locked.



Switch unit

A. Issue Master IB Key

Put batteries into battery holder and connect the 2 plug switches, unscrew the 2 screws and remove the lock cover, press the push-button on the PC board, after a beep, green light comes on, touch an IB key on the reader, after 3 "beeps", a master IB key is issued.



Press the push-button



Touch IB key

✎ **Note: The smart drawer lock has only one master IB key allowed, After issue of a master IB key, all existing IB key(s) are automatically invalid. If the master IB key is lost, use the above step to issue a new one.**

B. Issue User IB Key

Touch master IB key on the reader, after a beep, green light comes on, touch the master IB key again, after a beep, then touch an IB key, after a short beep, a user IB key is issued. When the green light is on, you can issue some more user IB keys until enough(15 pieces).



Touch master IB key Touch the key again Touch an IB key

✎ **Note: 15 user IB keys are allowed for an IB drawer lock.**

C. Delete Some User IB Key



Touch master IB key Touch the key again Touch an IB key

Touch master IB key on the reader, after a beep, green light comes on, touch the master IB key again, after a beep, then touch the user IB key, after 2 beeps, the user IB key is deleted.

D. Delete All User IB Key



Touch master IB key Touch the key again Touch the key third time

Touch master IB key on the reader, after a beep, green light comes on, touch the key again, then touch the key third time, after 3 long beeps, all user IB keys are deleted.

★ Low Battery Indication

When you touch IB key on the reader, after a beep and green light blinks, then give "beep.. " alarm signals, that is to show low battery. The batteries should be replaced.